

Installation instructions for KZNG5-003828-00  
 Installation instructions for KZNG5-003829-00  
 Under Run Protective Shield Engine Bay

## TOYOTA LAND CRUISER 300



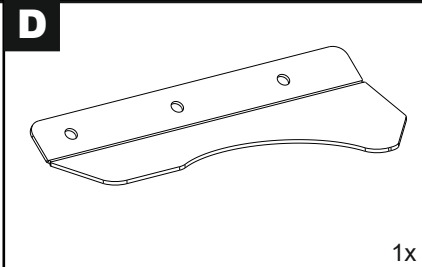
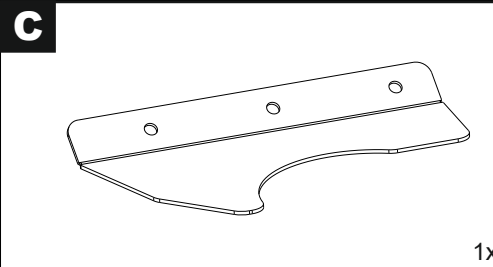
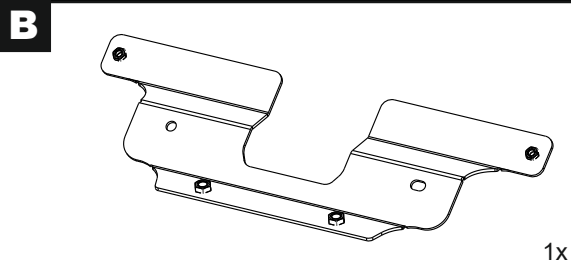
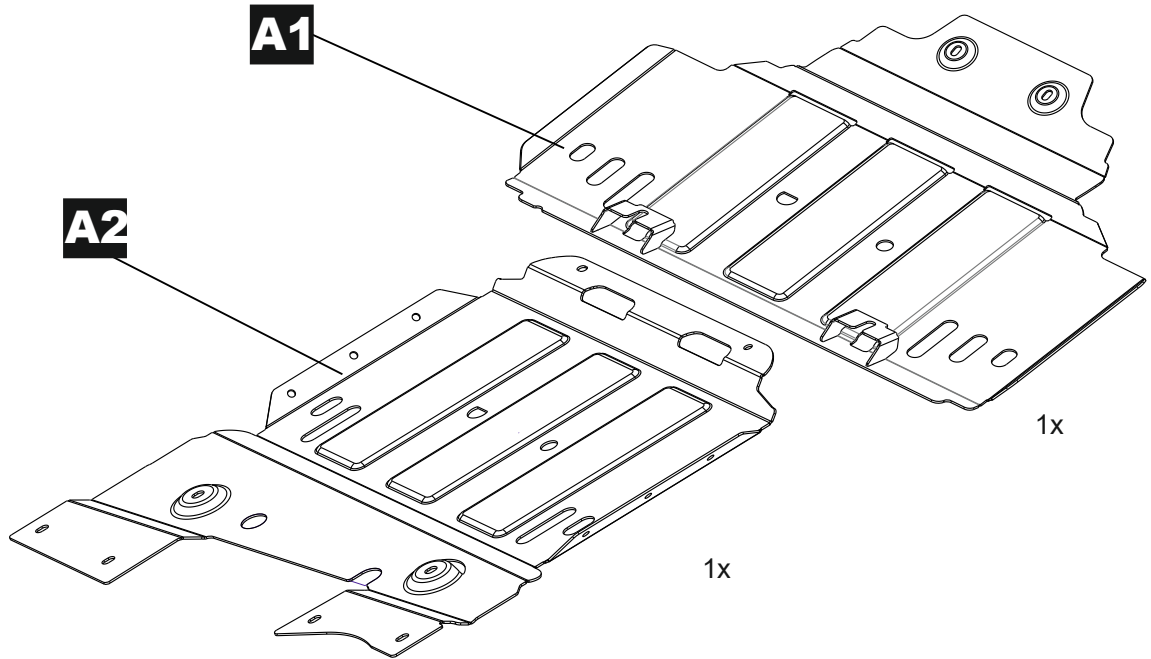
## LEXUS LX 600/500d



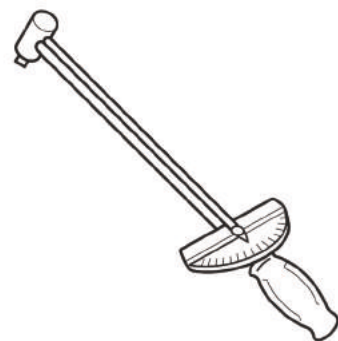
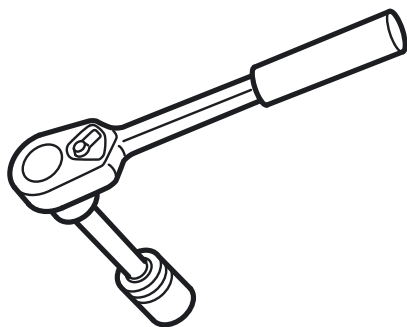
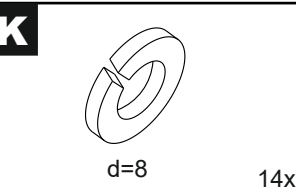
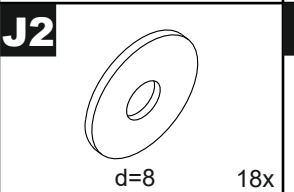
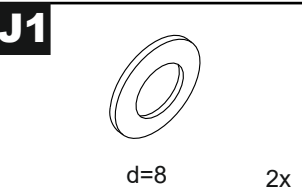
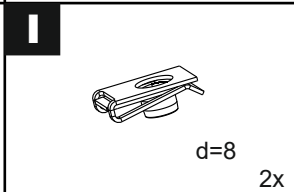
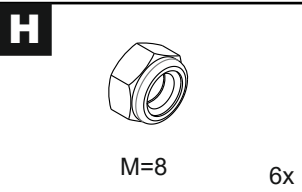
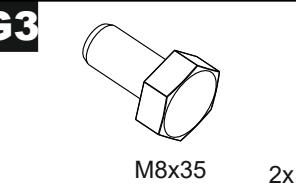
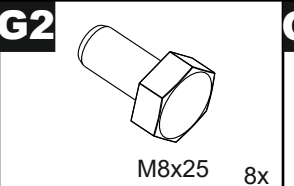
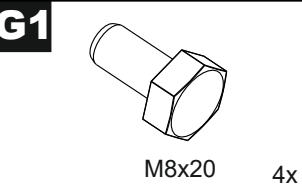
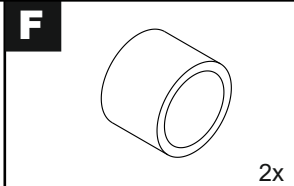
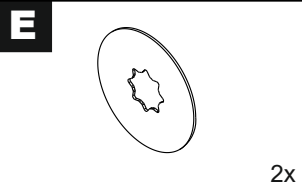
	LAND CRUISER 300	LEXUS LX 600	LEXUS LX 500d
Model year:	2021-	2021-	2021-
Applicability:	3,5 AT WD	3,5T AT FULLWD	3,3T AT FULLWD
Part Number:			Steel: KZNG5-03828-00 Aluminium: KZNG5-03829-00
 Weight:			Steel: 16,64 kg Aluminium: 9,86 kg
 Installation Time:			30 min



KZNG5-03828-00, KZNG5-03829-00



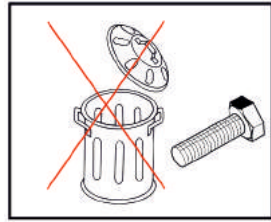
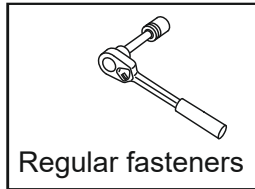
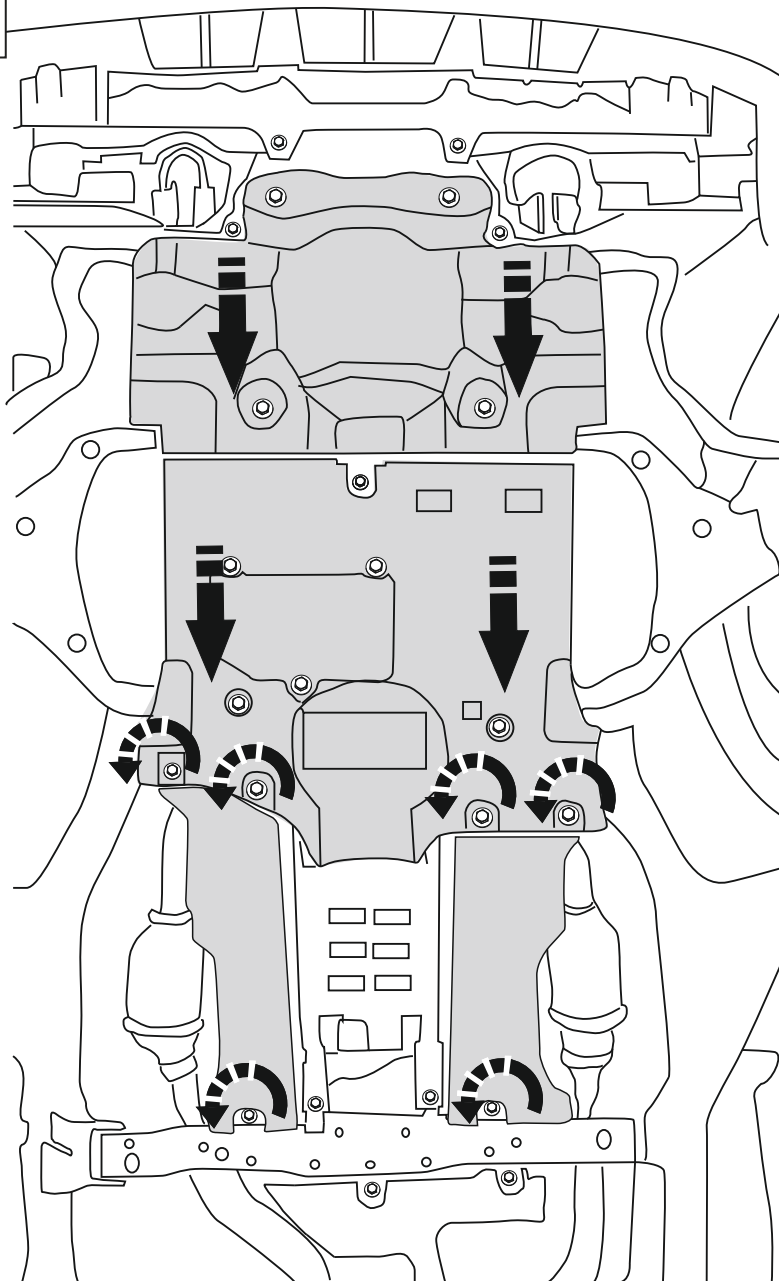
KZNG5-03828-60



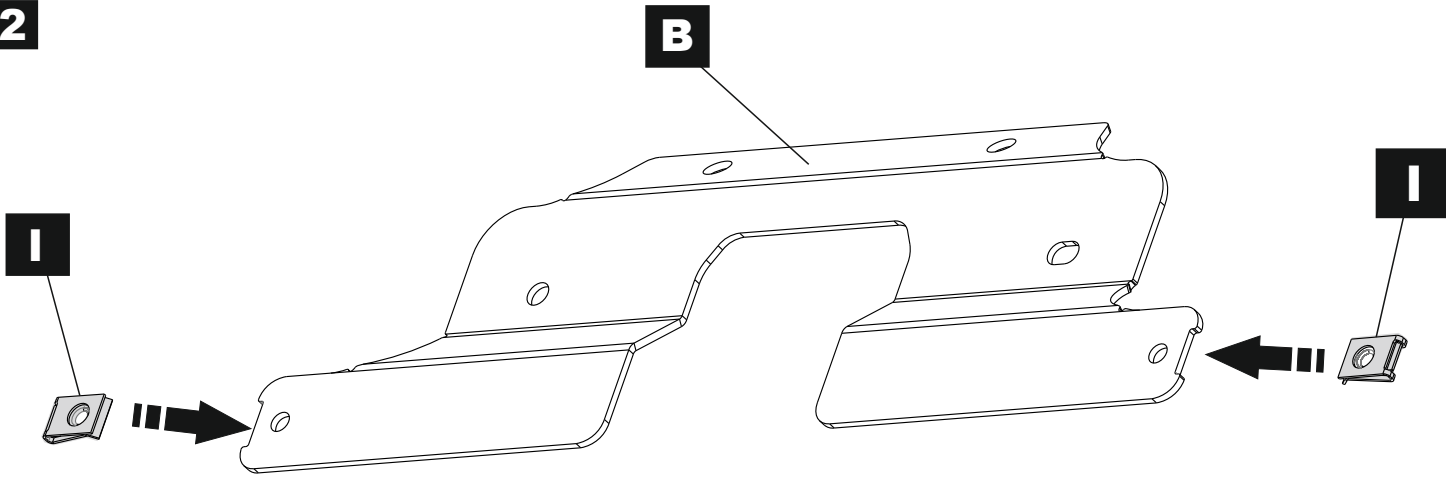
1



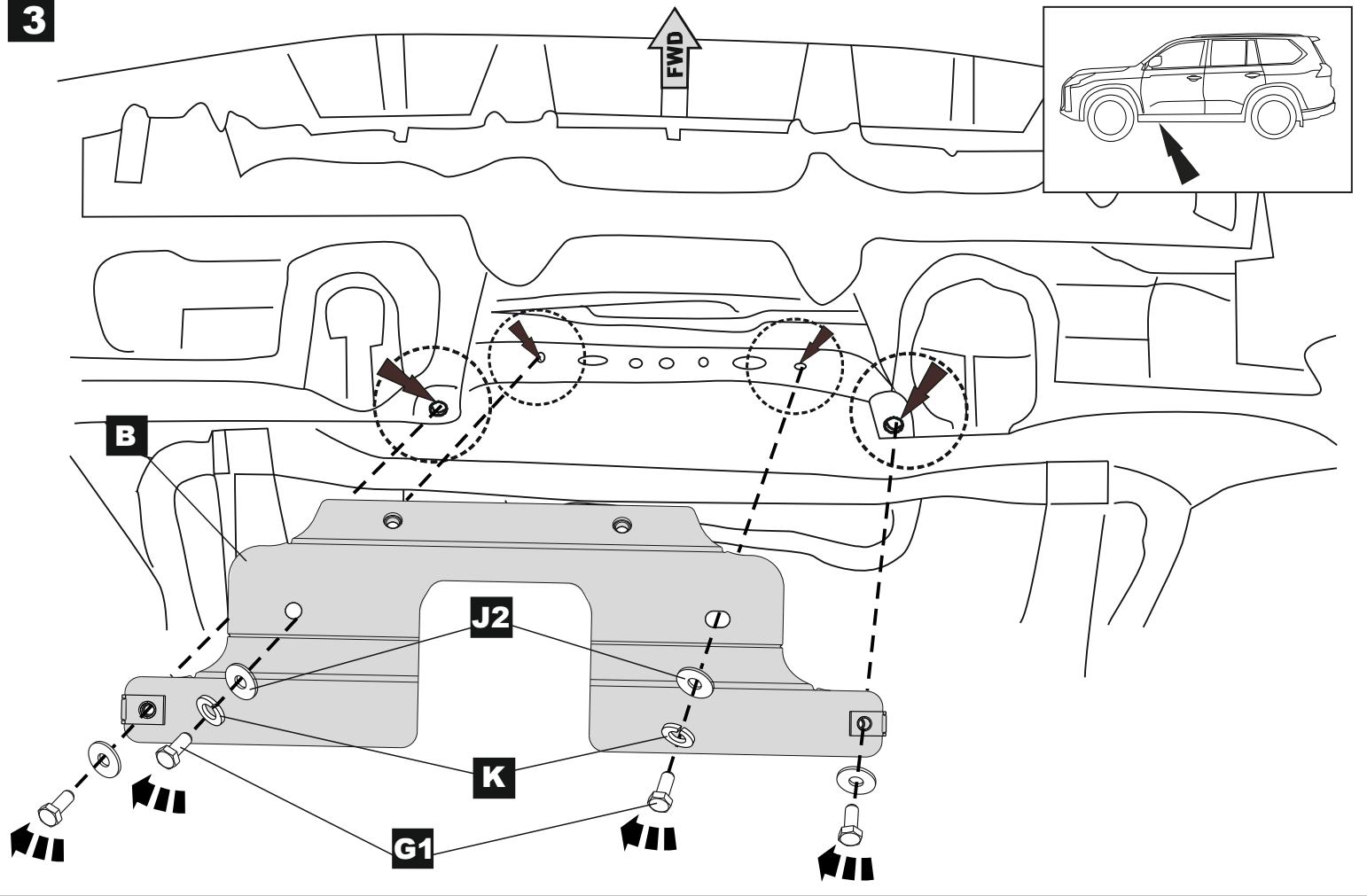
FWD ↑



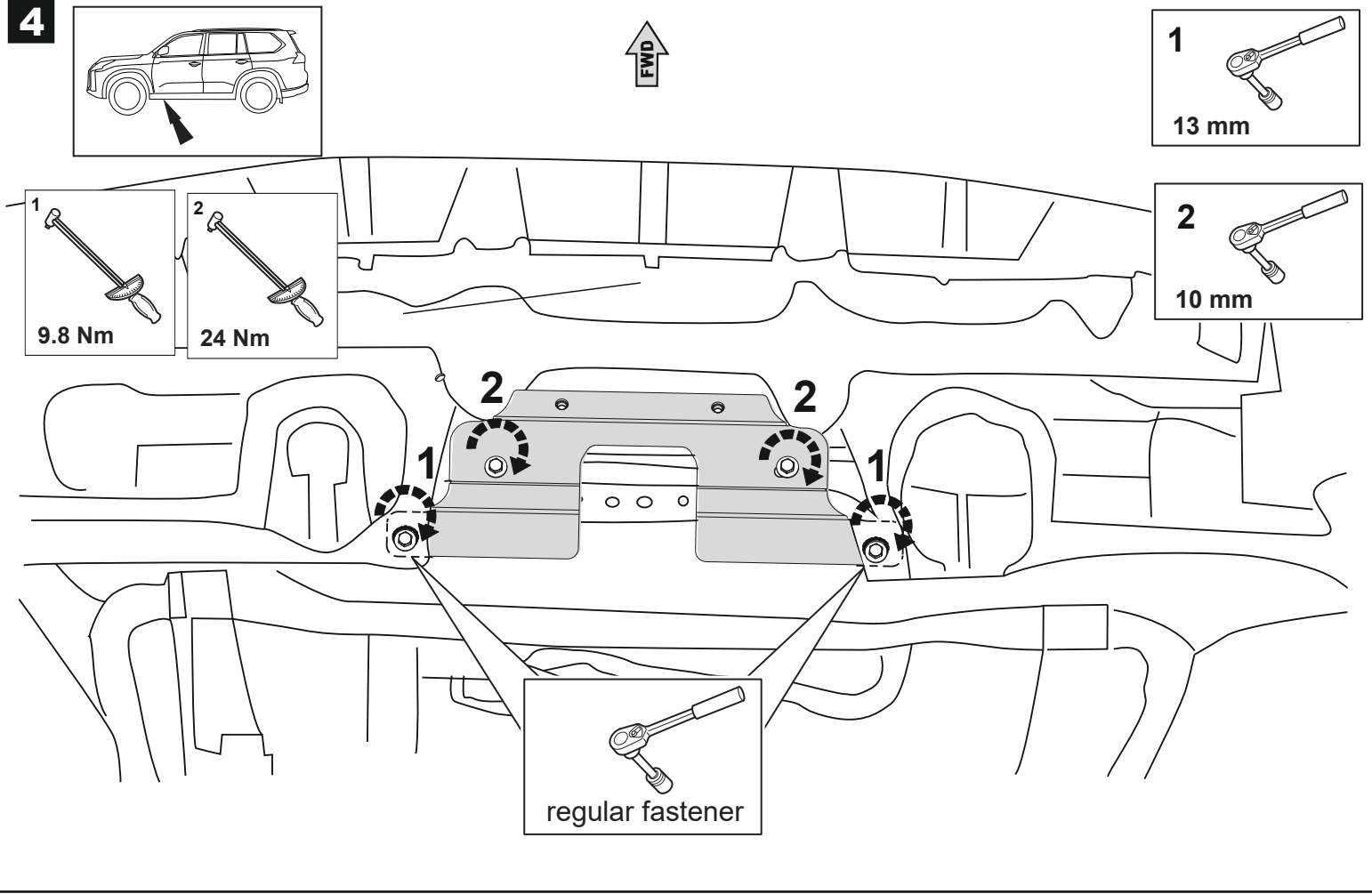
2



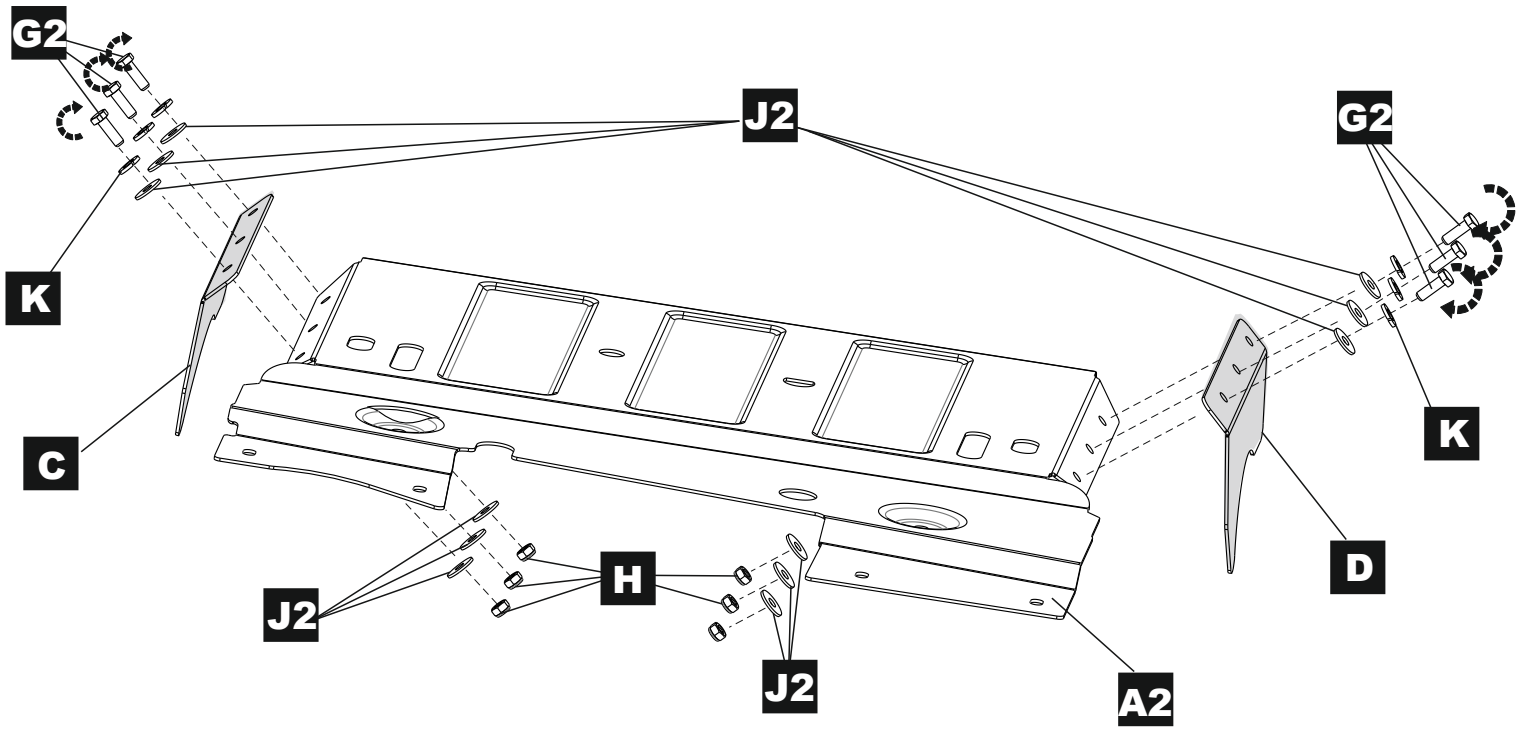
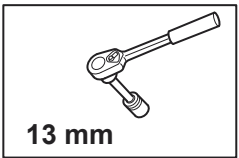
3



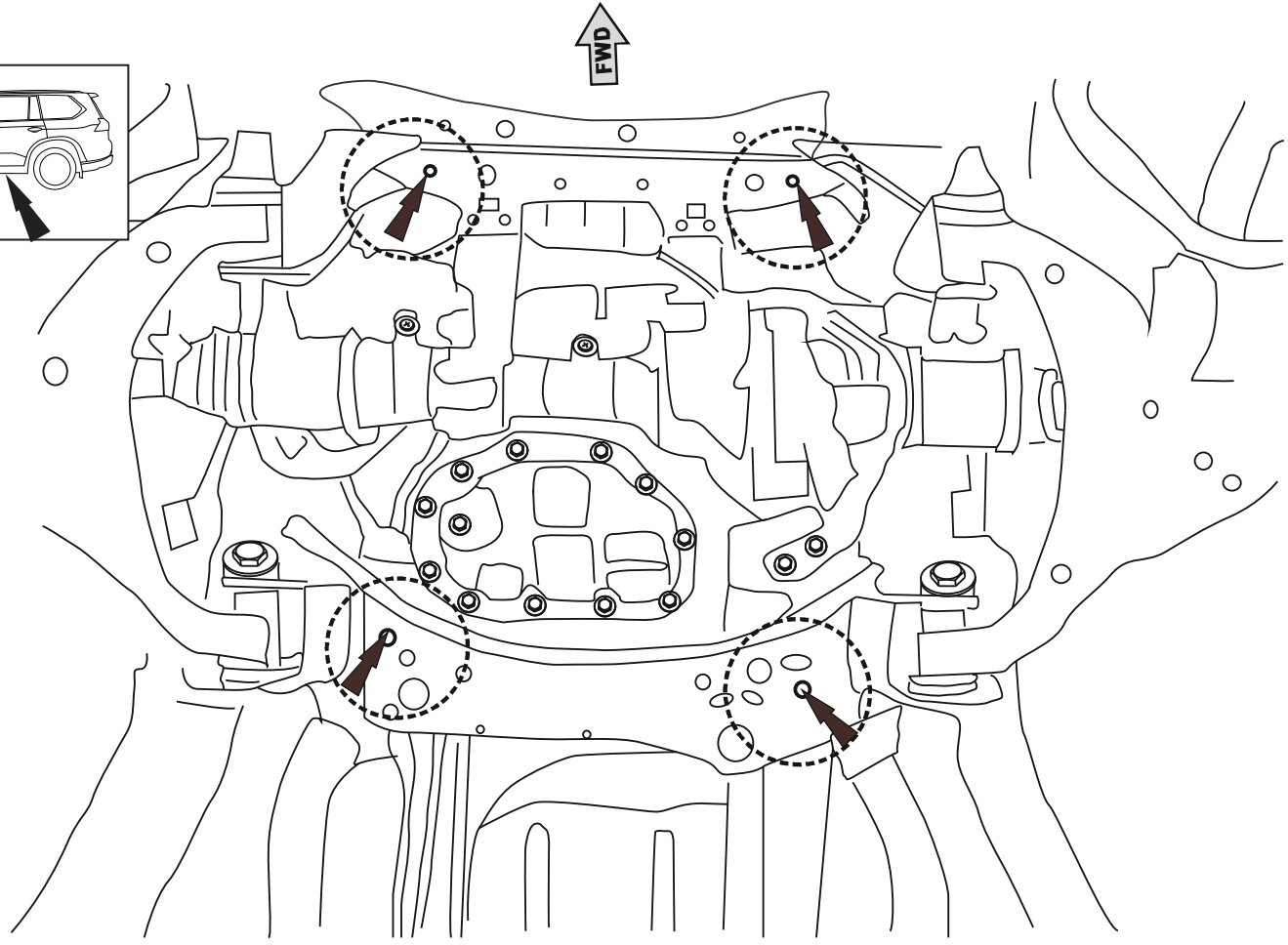
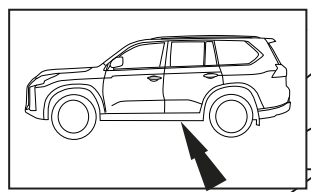
4



5



6



7

